

LISST-LOGGER

DUAL-CHANNEL SUBMERSIBLE DATA LOGGER

The LISST-Logger is a submersible data logger designed for recording digital and analog sensor data. It provides two RS-232 and four analog input channels, allowing flexible integration of multiple sensors in a single deployment.

Each of the two RS-232 serial channels operate independently and may be paired with the two high-resolution analog input channels, enabling simultaneous logging of multiple sensors with differing interfaces, sampling rates, and power requirements. This architecture supports concurrent operation of instruments such as LISST-OST and LISST-Tau, as well as analog sensors.

The LISST-Logger has programmable logging schedules with start/stop and logging interval settings. Data are logged according to two fully independent schedules, which run simultaneously. The LISST-Logger controls power to the connected sensors, which are fully powered off when not in use. Low power sleep mode ($<700\mu\text{A}$) between logging intervals allows for long term sensor deployments.

The LISST-Logger operates from an external 7–30 VDC power supply or battery. Logging can be started and stopped using a rotating switch on the housing or a digital signal (+5-12v).



FEATURES

- 2,000-meter depth rating
- Real-time data logging
- Connects and logs one to six instruments at the same time
- Compatible with LISST-OST and LISST-Tau instruments
- Two RS-232 serial interfaces
- Four high-resolution analog input channels (16-bit ADC)
- Start stop digital signal (+5 - 12V)
- External digital trigger input
- Low-power sleep mode operation
- Integrated temperature and humidity sensor
- Externally powered (no internal battery for operation)
- Software included with instrument
- Accessory cable lengths available as desired
- Two programmable logging schedules

SPECIFICATIONS subject to change without notice

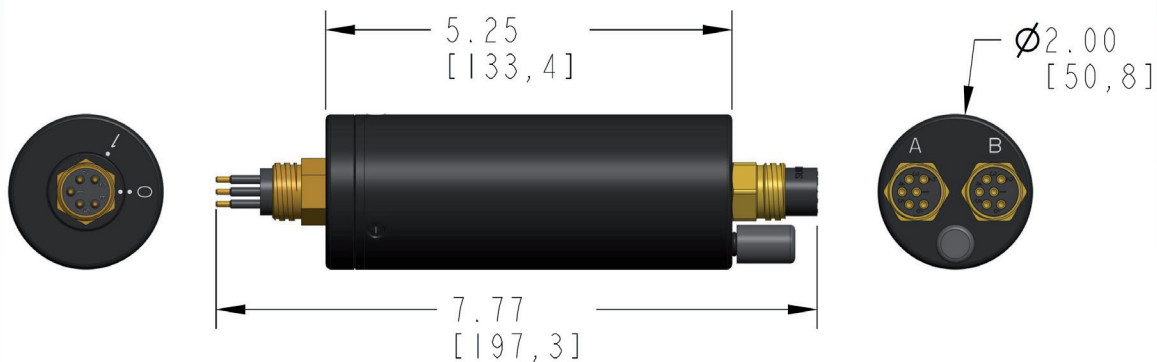
- Dimensions [Ø × L]: 5.08 cm x 19.7 cm (2.00" x 7.77")
Weight [air / seawater]: 0.61 kg / 0.26kg (1.34 lbs / 0.58 lbs)
Depth rating: 2,000 m
- Housing material: Anodized aluminum (black) with sacrificial anode protection
- External power input: 7–30 VDC
- Power Output (per sensor): 12V@1A
- Current Consumption: Operational 5mA@12V & Sleep 0.6mA@12V
- Sampling rate: up to 1Hz
- Data logging: Real-time, independent per channel
- Storage: 1GB
- Serial interfaces: 2 × RS-232
- Analog inputs: 2 channels, 0–5 V, 16-bit resolution
- Connectors: SubCon MCBH5M, 2x SubCon MCBH6F



2m Comm & Pwr Cable w/15V Pwr, included w/LISST-Logger (connects logger to laptop)



135cm Sensor Cable [MCIL6-F/MCIL-6-M] sold separately (connects logger to sensor)



Sequoia Scientific, Inc.
2700 Richards Road, Suite 107
Bellevue, WA 98005 USA
Tel +1 (855) 753-3313
email info@SequoiaSci.com
www.SequoiaSci.com

SEQUOIA
Tools and Research for Particle Intelligence